



240 Litre MGB

QUALITY

- SAI Global Certified Product AS 4123 (SMK40411)
- SAI Global Recognised Laboratory AS4123.5 (40119)
- ISO 9001 Quality Management Systems
- ISO 14001 Environmental management Systems
- Injection Moulded HDPE
- UV Stabilized
- Chemical and odour resistant
- Heat and frost resistant
- Solid rubber tyre wheels (removable)
- Heavy duty nickel plated steel axle
- Maximum Nominal Load 96kg
- Maximum Mass 110kg



Australian Standard

AS4123 Parts 1, 5, 6 & 7
80, 120, 140, 240L MGB

FLEXIBILITY

- Hot Stamping of bin body or lid
- Thermal Printing QR or barcode
- RFID and weighing compatible
- Bin body recycled content

COLOURS

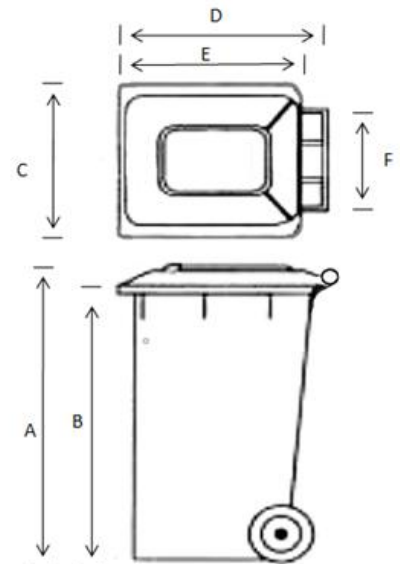
- Full range of colours to suit your needs

DELIVERY

- Australia Wide

WARRANTY

- 10 Year manufacturing warranty*
* subject to terms and conditions of sale.



Weight (approx) 12.2kg A. 1060mm D. 730mm
Volume: 240 Litres B. 1005mm E. 660mm
Wheel Diameter: 200mm C. 580mm F. 410mm

Contact Trident for a Quote or to discuss your needs!

bins@tridentaustralia.com

www.tridentaustralia.com

Trident Plastics (SA) Pty Ltd

589 Torrens Road, St Clair South Australia 5011

Phone +61 8 8444 6246



SAI GLOBAL SAI GLOBAL SAI GLOBAL