



TRIDENT PLASTICS

240 Litre MGB Green Organics Bin

QUALITY

- ISO 9001 and ISO 14001 accredited
- AS 4123 Certified Part 1, (including parts 5, 6 & 7)
- Injection Moulded HDPE
- UV Stabilized
- Chemical and odour resistant
- Heat and frost resistant
- Solid rubber tyred wheels (removable)
- Heavy duty nickel plated steel axle
- Maximum Nominal Load 96kg
- Maximum Mass 109kg

FLEXIBILITY

- Bin and Lid embossing
- RFID and weighing compatible
- Hot Stamping bin and lid
- Thermal Printing of Barcode and/or QR code

COLOURS

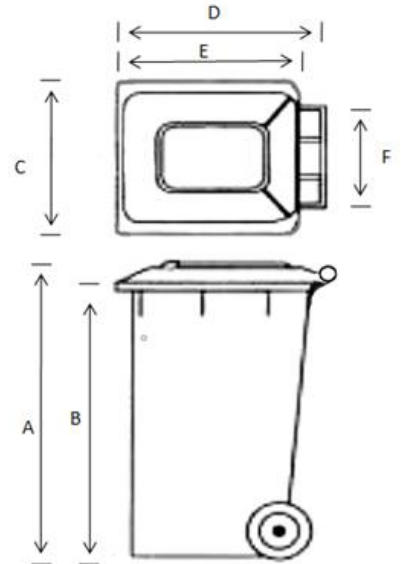
- Full range of colours to suit your needs

DELIVERY

- Door to Door Australia wide

WARRANTY

- 10 Year manufacturing warranty*
* subject to terms and conditions of sale.



Weight (approx) 12.2kg
Volume: 240 Litres
Wheel Diameter: 200mm

A. 1060mm D. 730mm
B. 1005mm E. 660mm
C. 580mm F. 410mm



Contact Trident for a Quote or to discuss your needs!
bins@tridentaustralia.com

www.tridentaustralia.com

Trident Plastics (SA) Pty Ltd

589 Torrens Road, St Clair South Australia 5011

Phone 08 8444 6226

