



120 Litre MGB

QUALITY

- SAI Global Certified Product AS 4123 (SMK40411)
- SAI Global Recognised Laboratory AS4123.5 (40119)
- ISO 9001 Quality Management Systems
- ISO 14001 Environmental management Systems
- Injection Moulded HDPE
- UV Stabilized
- Chemical and odour resistant
- Heat and frost resistant
- Solid rubber tyre wheels (removable)
- Heavy duty nickel plated steel axle
- Maximum Nominal Load 48kg
- Maximum Mass 57kg



Australian Standard
AS: 4123
120, 140L,
240L MGB



FLEXIBILITY

- Bin and Lid Markings
- Identification and weighing compatible
- Imprints and hot foil printing available

COLOURS

- Full range of colours to suit your needs

DELIVERY

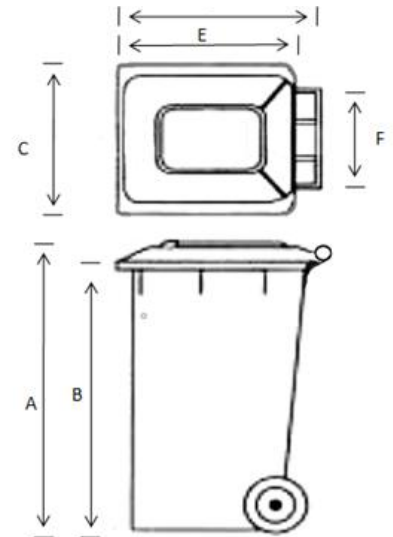
- Australia wide

WARRANTY

- 10 Year manufacturing warranty*
- * Subject to terms and conditions of sale.

Other Services:

- Concept analysis, CAD design, prototyping and Toolmaking.
- Assembly and distribution services.



Weight (approx) 8.5kg A. 900mm D. 550mm
Volume: 120 Litres B. 860mm E. 470mm
Wheel Diameter: 200mm C. 460mm F. 350mm

Contact Trident for a Quote or to discuss your needs!

bins@tridentaustralia.com

www.tridentaustralia.com

Trident Plastics (SA) Pty Ltd

589 Torrens Road, St Clair South Australia 5011

Phone +61 8 8444 6246

