



# TRIDENT PLASTICS

## 100 Litre MGB

### QUALITY

- ISO 9001 and ISO 14001 accredited manufacturer
- Injection Moulded HDPE
- UV Stabilized
- Chemical and odour resistant
- Heat and frost resistant
- Solid rubber tyred wheels
- Heavy duty nickel plated steel axle
- Maximum Nominal Load 40kg
- Maximum Mass 47.1kg

### FLEXIBILITY

- Fits under a standard kitchen bench top
- Ideal for kitchen and workshops

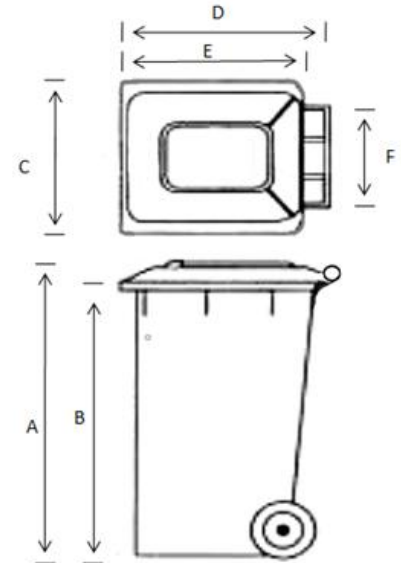
### COLOURS

- Bin Body: Dark Green
- Lid: Dark Green

Note: Standard 100 Litre are not Comb lift compatible.  
 Not designed for commercial use.  
 Special orders can incorporate the comb lift front lip.

### WARRANTY

- 1 Year manufacturing warranty  
 \*subject to terms and conditions of sale.



Weight (approx) 7.1kg  
 Volume: 100 Litres  
 Wheel Diameter: 200mm

A. 760mm	D. 520mm
B. 720mm	E. 455mm
C. 460mm	F. 350mm



Contact Trident for a Quote or to discuss your needs!  
 bins@tridentaustralia.com  
[www.tridentaustralia.com](http://www.tridentaustralia.com)  
**Trident Plastics (SA) Pty Ltd**  
 589 Torrens Road, St Clair South Australia 5011  
 Phone 08 8444 6226

